



# RollFix Premium Electric Pro – professional large-format projection

- **NEW: maintenance-free robust tube motor in new, very silent operation design (230 V)**
- Supplied with flush-mount switch and approx. 300 cm connecting cable (exit top right)
- Safety thanks to automatic shutdown using a micro-switch
- Projection surface infinitely adjustable
- Can be wall or ceiling mounted; universal mounting angles are part of the delivery standard
- Suitable for installation in suspended ceilings with accessories
- **FM = flexible mounting angle for direct on-wall or on-ceiling mounting. Each angle has 55 cm of adjustment in ceiling-section slots allowing freedom for positioning on the casing. The angles can be set to suit the attachment points available in the room**

- The installation frame is available for installation in suspended ceilings and for a clean ceiling finish (refer to page 105)
- Screen surface sits exactly in the casing thanks to conical weight bar
- Square steel casing (1.5 mm thick), cross-section 10 x 10 cm and 12 x 12 cm
- Casing colour: white, RAL 9003

### Screen surface

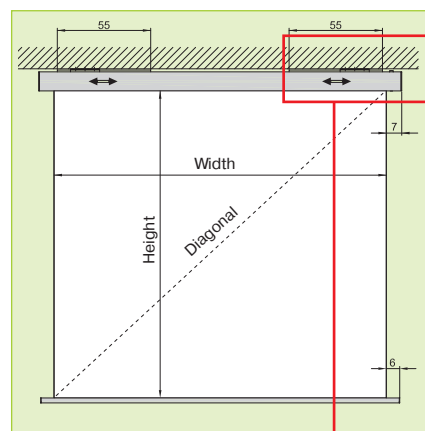
- Front projection, **type D**
- DIN 19045 gain factor, approx. 1.2
- Matt white, woven fabric base
- Back: opaque
- Front projection, **type S**
- DIN 19045 gain factor, approx. 1.7
- MW-Novalux, on a woven fabric base
- Back: opaque



**Projection screens larger than 300 cm on request**  
Refer to page 98 for MaxxScreen.

**NEW: optimum flatness**

RollFix Premium Electric Pro				
Projection surface W/H	Diagonal cm/inch	Casing W/H	Weight net kg	Code No.
<b>Type D</b>				
180/180 cm	255/100	10/10 cm	25	132300-Pro
200/150 cm	250/98	10/10 cm	28	132310-Pro
200/200 cm	283/111	10/10 cm	28	132320-Pro
240/180 cm	300/118	10/10 cm	32	132330-Pro
240/240 cm	340/134	10/10 cm	32	132340-Pro
300/225 cm	375/148	12/12 cm	44	132350-Pro
300/300 cm	424/167	12/12 cm	44	132360-Pro
<b>Type S</b>				
240/180 cm	300/118	10/10 cm	32	132370-Pro
240/240 cm	340/134	10/10 cm	32	132380-Pro
300/225 cm	375/148	12/12 cm	44	132390-Pro
300/300 cm	424/167	12/12 cm	44	132400-Pro



### Installation on request



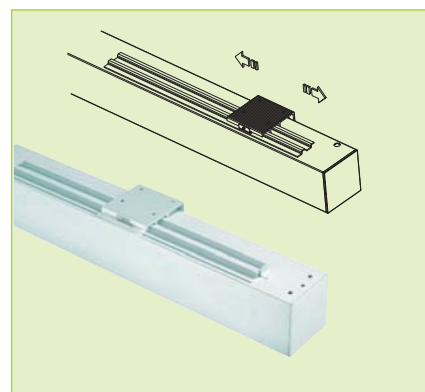
Flush-mounted rotary switch (in delivery standard)



Conical weight bar for flush finish with casing



Wall spacer – for description refer to Page 104



Flexible mounting angle

Refer to pages 104 and 105 for accessories