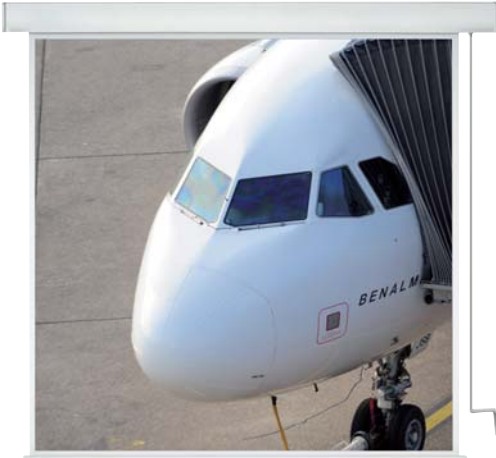
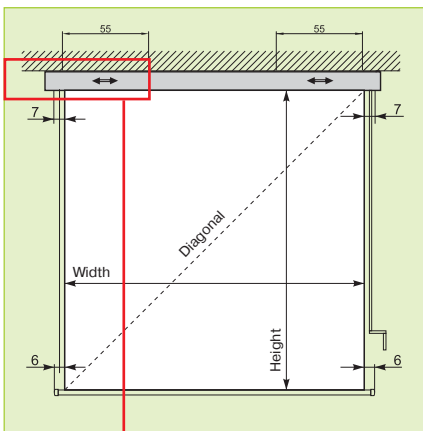




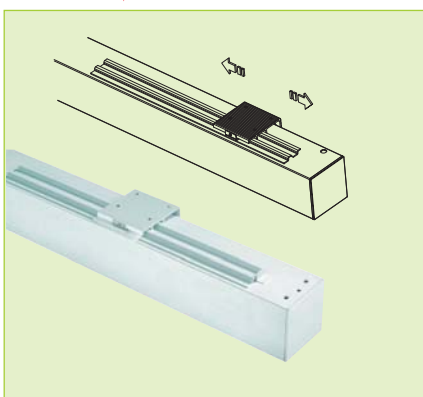
RollFix Premium Hand Crank Pro – professional large-sized projection even without electrical installation



- Removable hand crank prevents unauthorised use
- User-friendly thanks to smooth-running crank drive (at the right side)
- Projection surface infinitely adjustable
- Can be wall or ceiling mounted; universal mounting angles are part of the delivery standard
- Suitable for installation in suspended ceilings with accessories
- **FM = Flexible mounting angles for direct on-wall or on-ceiling mounting. Each angle has 55 cm of adjustment in ceiling-section slots allowing freedom for positioning on the casing. The angles can be set to suit the attachment points available in the room**
- For integration into a suspended ceiling a functional, innovative installation housing or an installation frame for a clean ceiling finish (refer to page 105) are optionally available
- Projection surface is flush with casing thanks to conical weight bar
- Square steel casing (1.5 mm thick), cross-section 10 x 10 cm and 12 x 12 cm
- Casing colour: white, RAL 9003
- **Screen surface**
- Front projection, **type D**
- DIN 19045 gain factor, approx. 1.2
- Matt white, woven fabric base
- Back: opaque
- Front projection, **type S**
- DIN 19045 gain factor, approx. 1.7
- MW-Novalux, on a woven fabric base
- Back: opaque



RollFix Premium Hand Crank Pro					
Projection surface W/H	Diagonal cm/inch	Casing W/H	Crank length	Weight net kg	Code No.
Type D					
180/180 cm	255/100	10/10 cm	180 cm	25	132410-Pro
200/150 cm	250/98	10/10 cm	180 cm	28	132420-Pro
200/200 cm	283/111	10/10 cm	180 cm	28	132430-Pro
240/180 cm	300/118	10/10 cm	180 cm	32	132440-Pro
240/240 cm	340/134	10/10 cm	180 cm	32	132450-Pro
300/225 cm	375/148	12/12 cm	221 cm	44	132460-Pro
300/300 cm	424/167	12/12 cm	221 cm	44	132470-Pro
Type S					
240/180 cm	300/118	10/10 cm	180 cm	32	132480-Pro
240/240 cm	340/134	10/10 cm	180 cm	32	132490-Pro
300/225 cm	375/148	12/12 cm	221 cm	44	132500-Pro
300/300 cm	424/167	12/12 cm	221 cm	44	132510-Pro



Flexible mounting angle



Conical weight bar for flush finish with casing



Wall spacer – for description refer to page 104



Removable hand crank

Refer to pages 104 and 105 for accessories