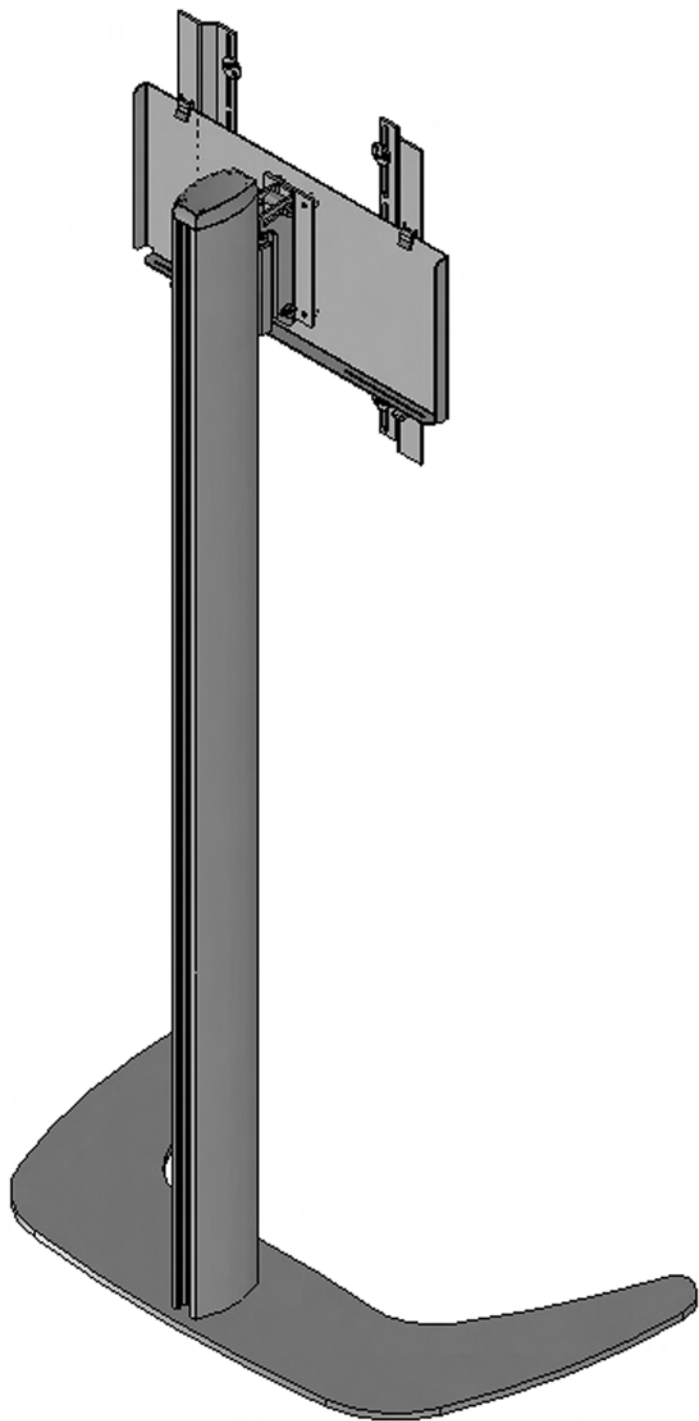
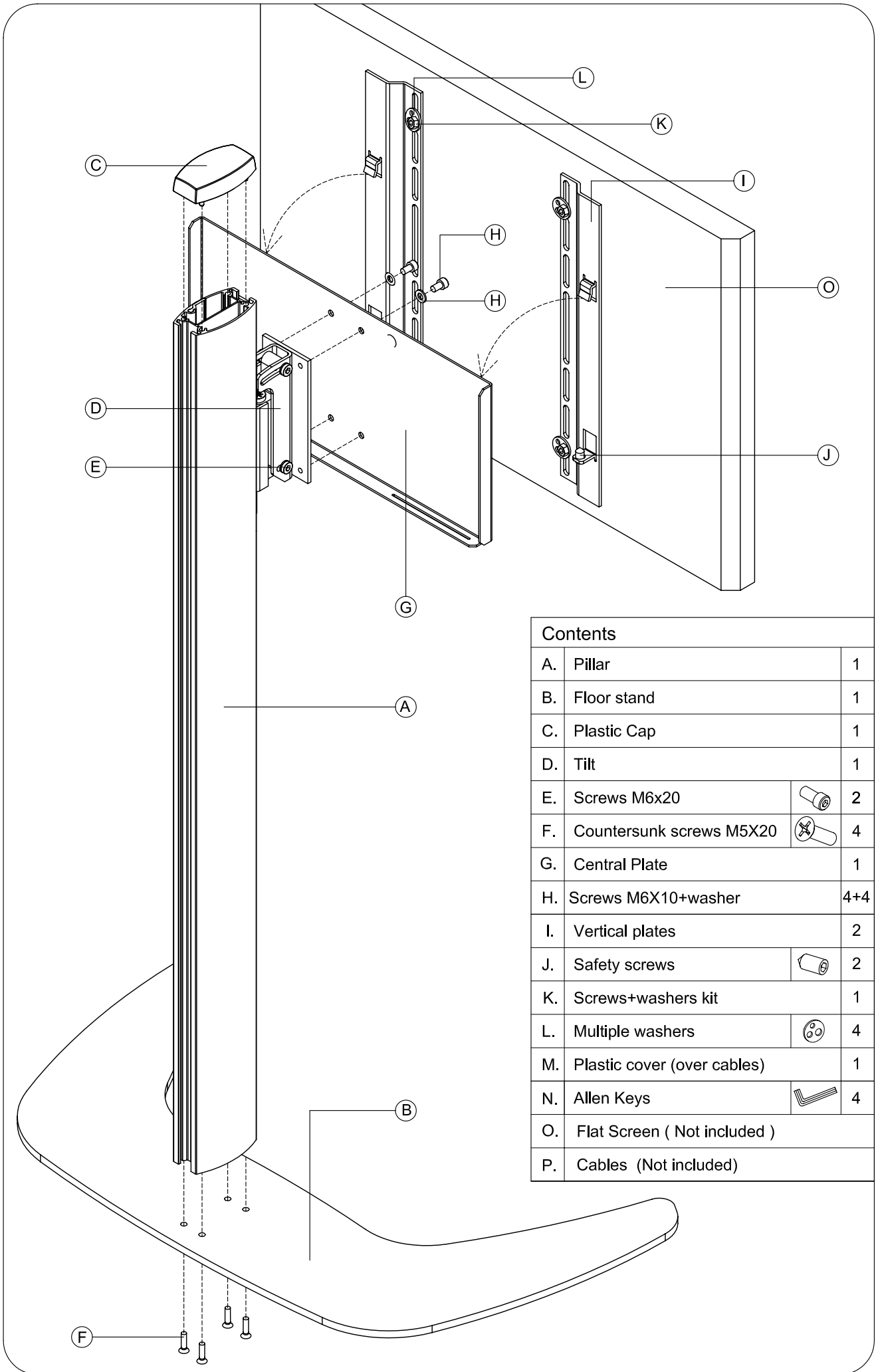





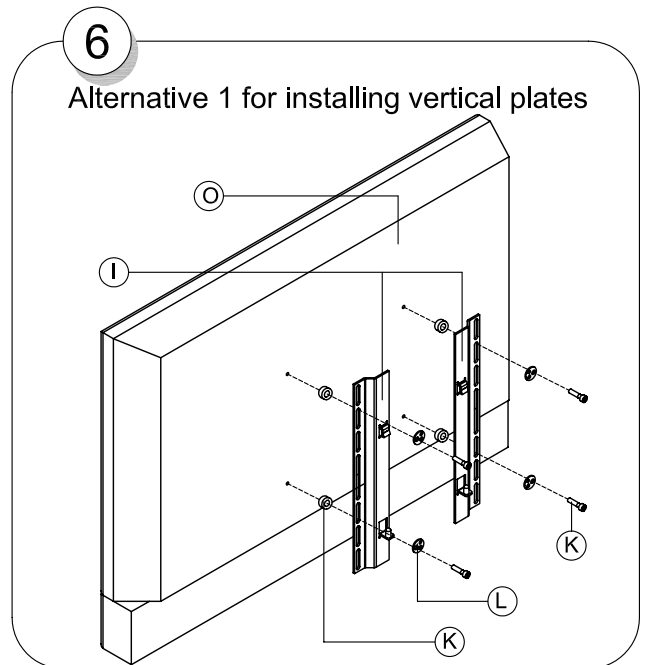
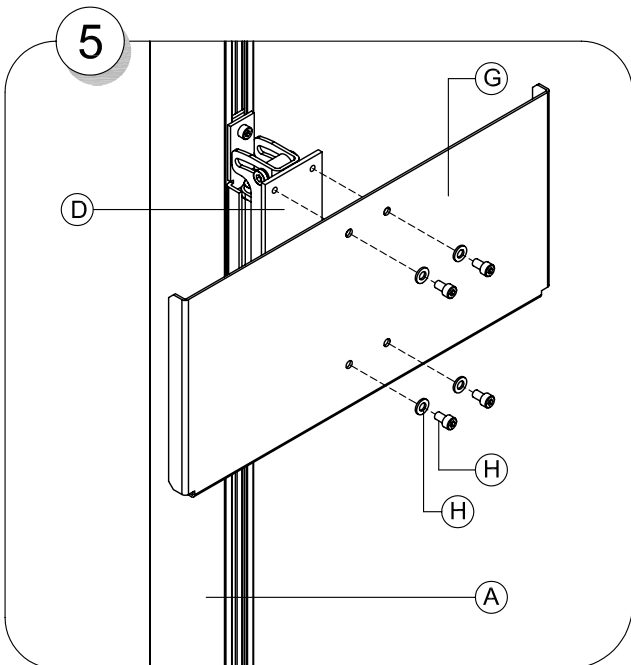
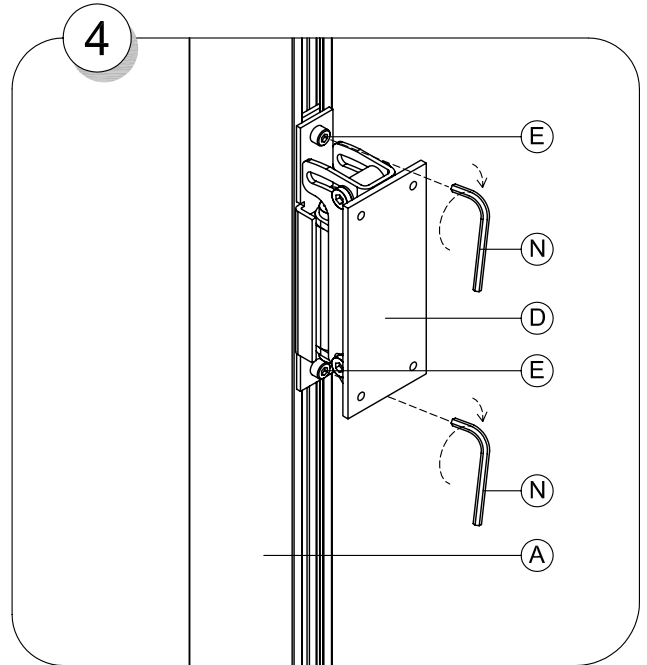
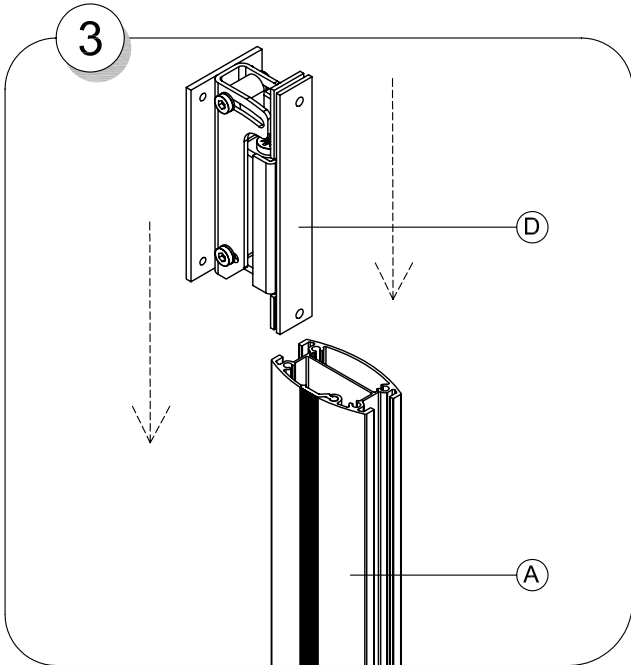
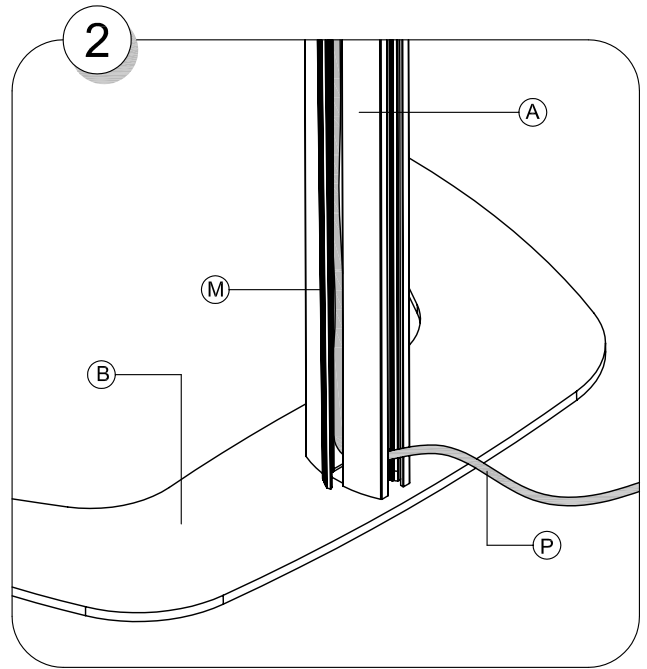
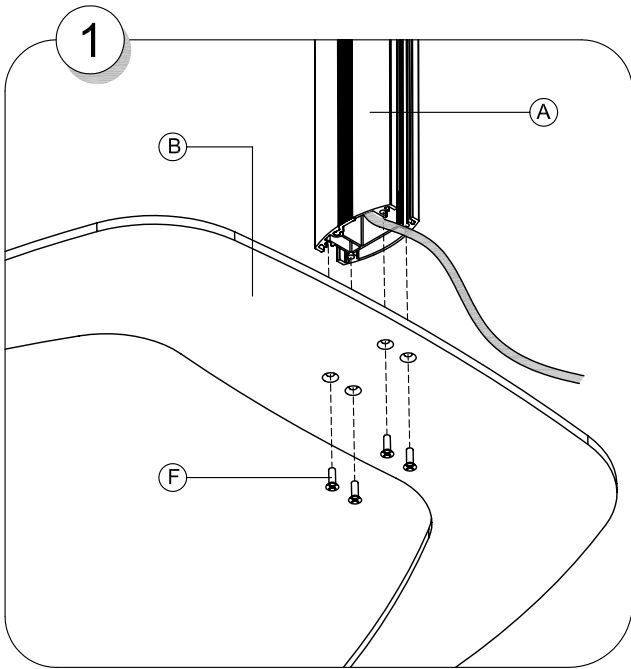


SMS FLATSCREEN FM ST



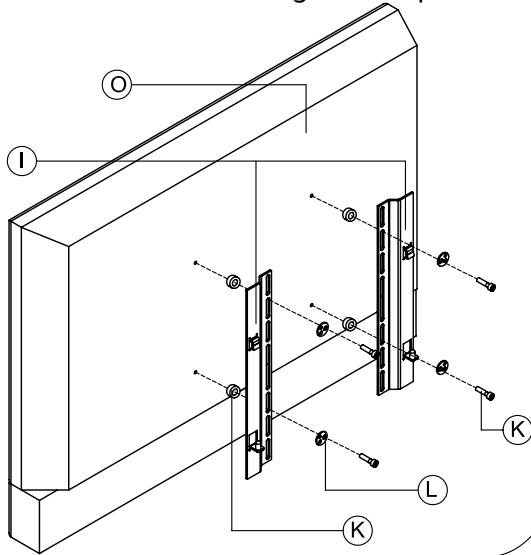


Contents		
A.	Pillar	1
B.	Floor stand	1
C.	Plastic Cap	1
D.	Tilt	1
E.	Screws M6x20	 2
F.	Countersunk screws M5X20	 4
G.	Central Plate	1
H.	Screws M6X10+washer	4+4
I.	Vertical plates	2
J.	Safety screws	 2
K.	Screws+washers kit	1
L.	Multiple washers	 4
M.	Plastic cover (over cables)	1
N.	Allen Keys	 4
O.	Flat Screen (Not included)	
P.	Cables (Not included)	

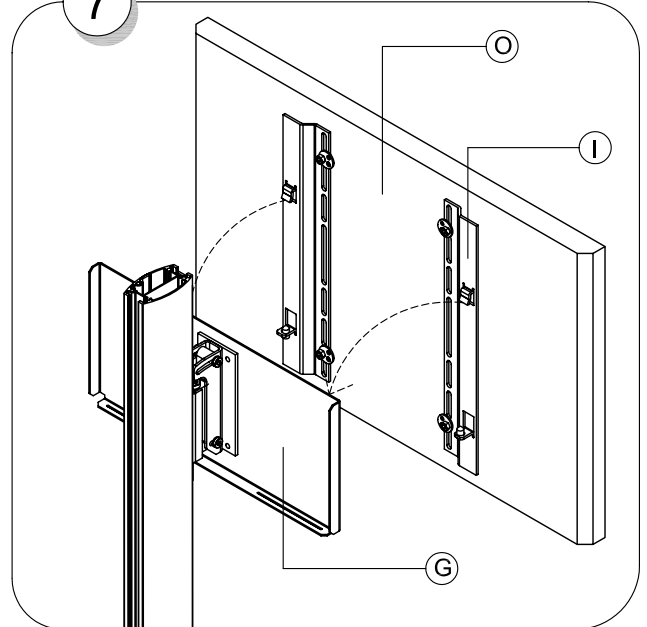


6A

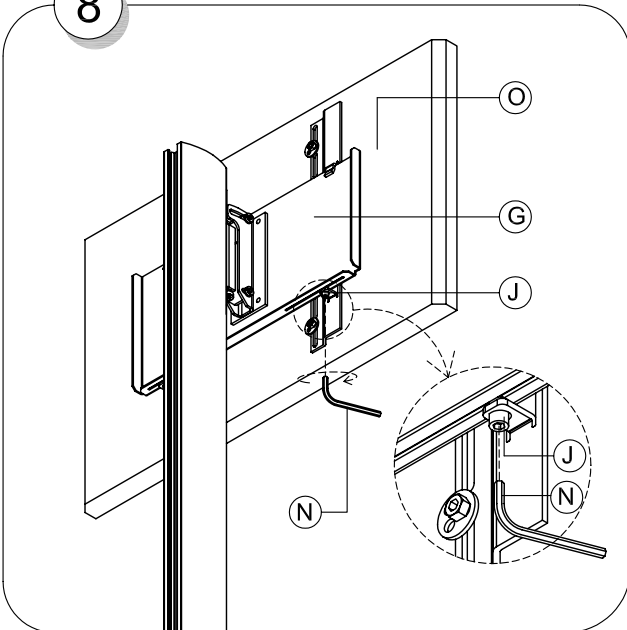
Alternative 2 for installing vertical plates



7



8



9

