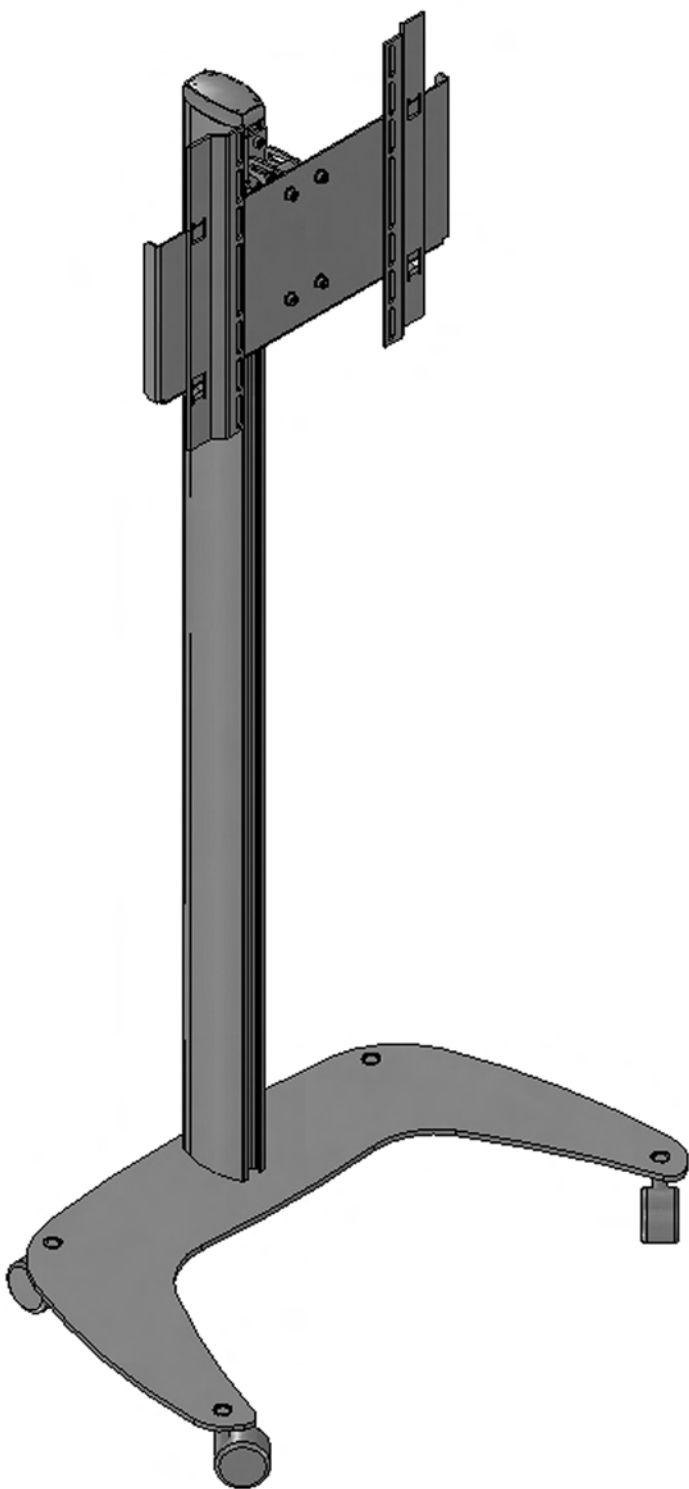
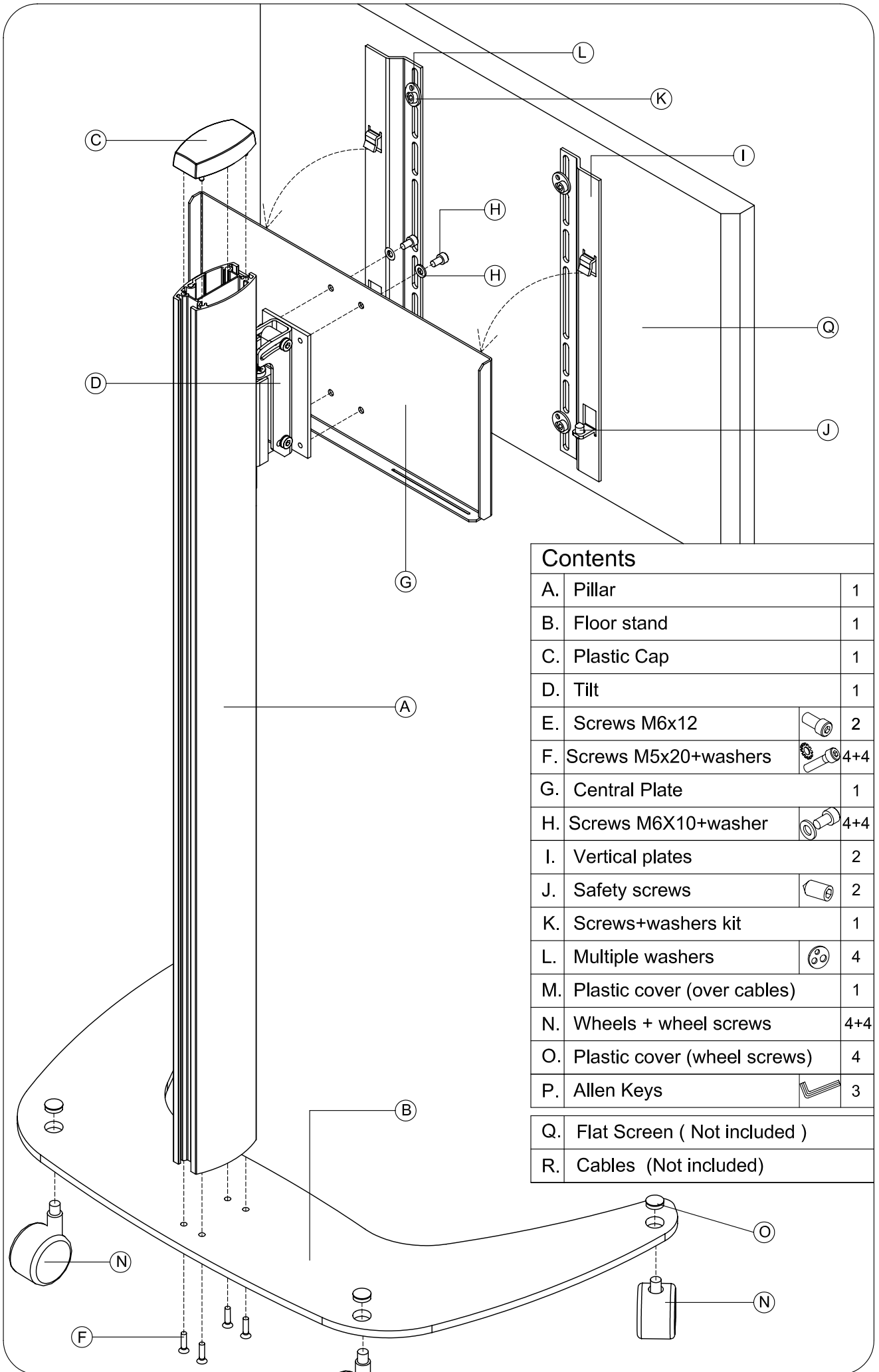






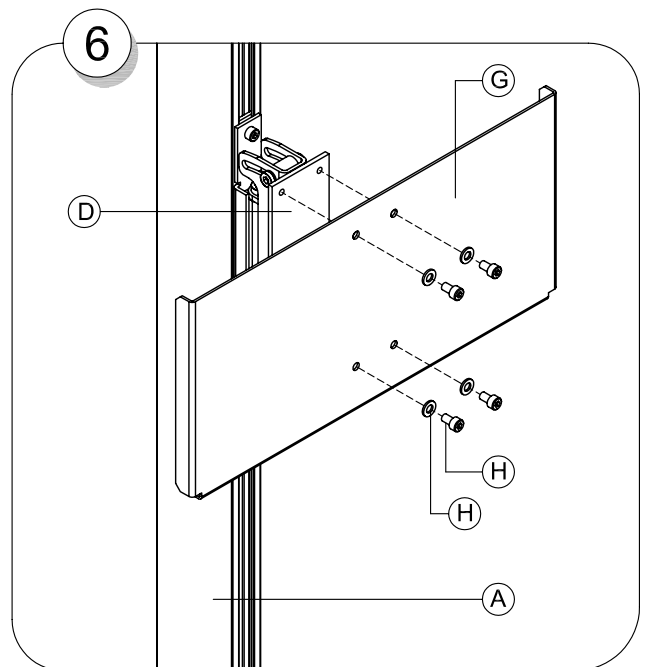
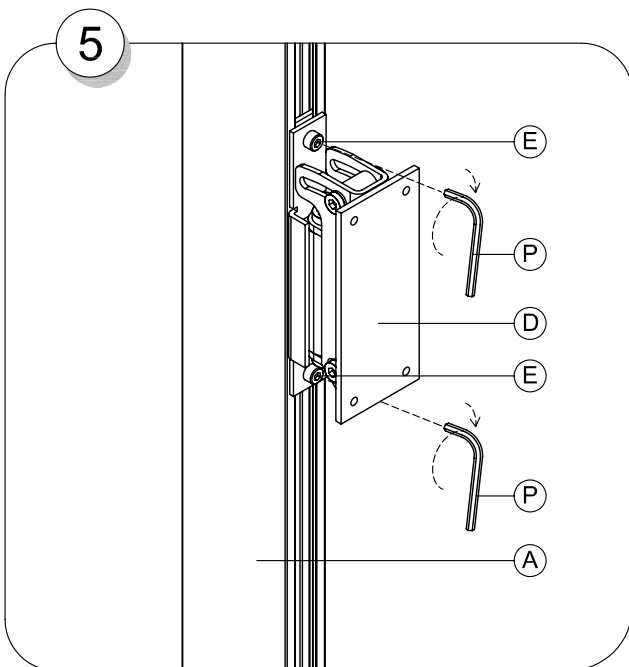
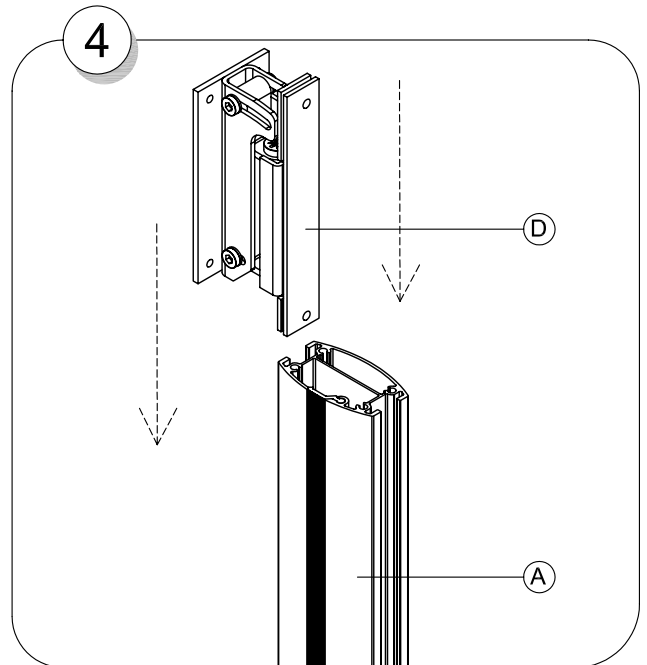
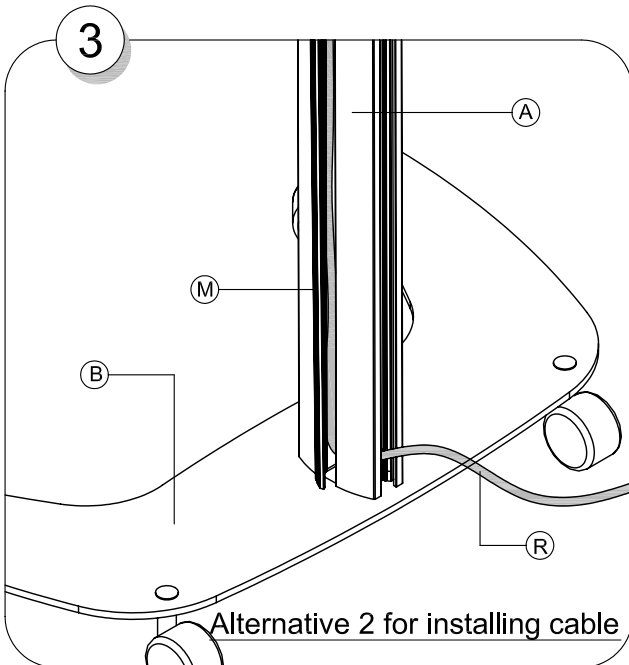
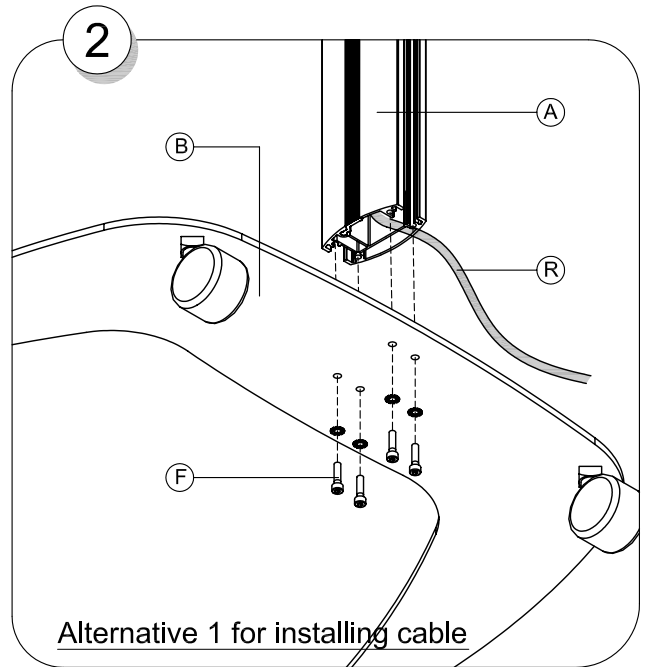
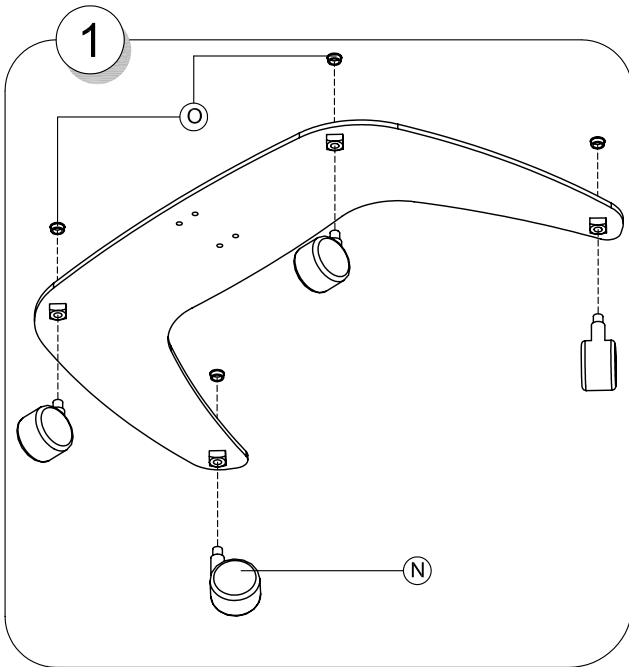


# SMS FLATSCREEN FM MST800/1200



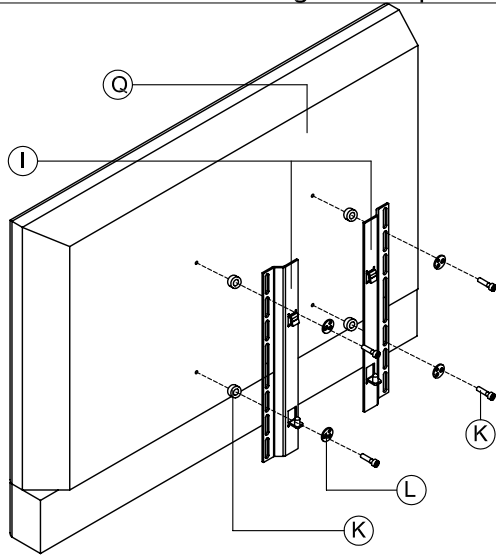


Contents		
A.	Pillar	1
B.	Floor stand	1
C.	Plastic Cap	1
D.	Tilt	1
E.	Screws M6x12	 2
F.	Screws M5x20+washers	 4+4
G.	Central Plate	1
H.	Screws M6X10+washer	 4+4
I.	Vertical plates	2
J.	Safety screws	 2
K.	Screws+washers kit	1
L.	Multiple washers	 4
M.	Plastic cover (over cables)	1
N.	Wheels + wheel screws	4+4
O.	Plastic cover (wheel screws)	4
P.	Allen Keys	 3
Q.	Flat Screen ( Not included )	
R.	Cables (Not included)	



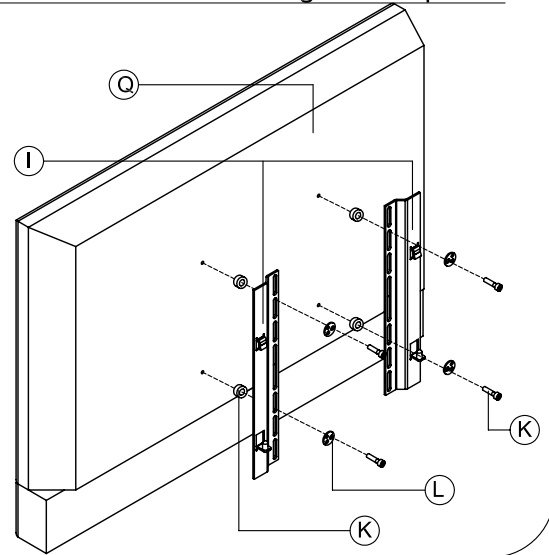
7

Alternative 1 for installing vertical plates

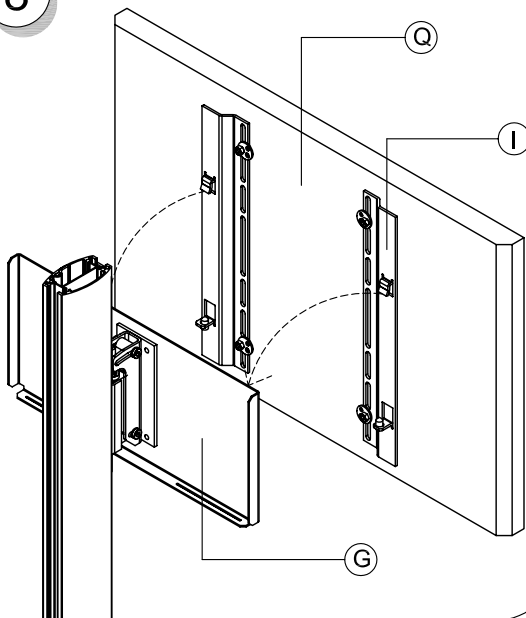


7A

Alternative 2 for installing vertical plates



8



9

