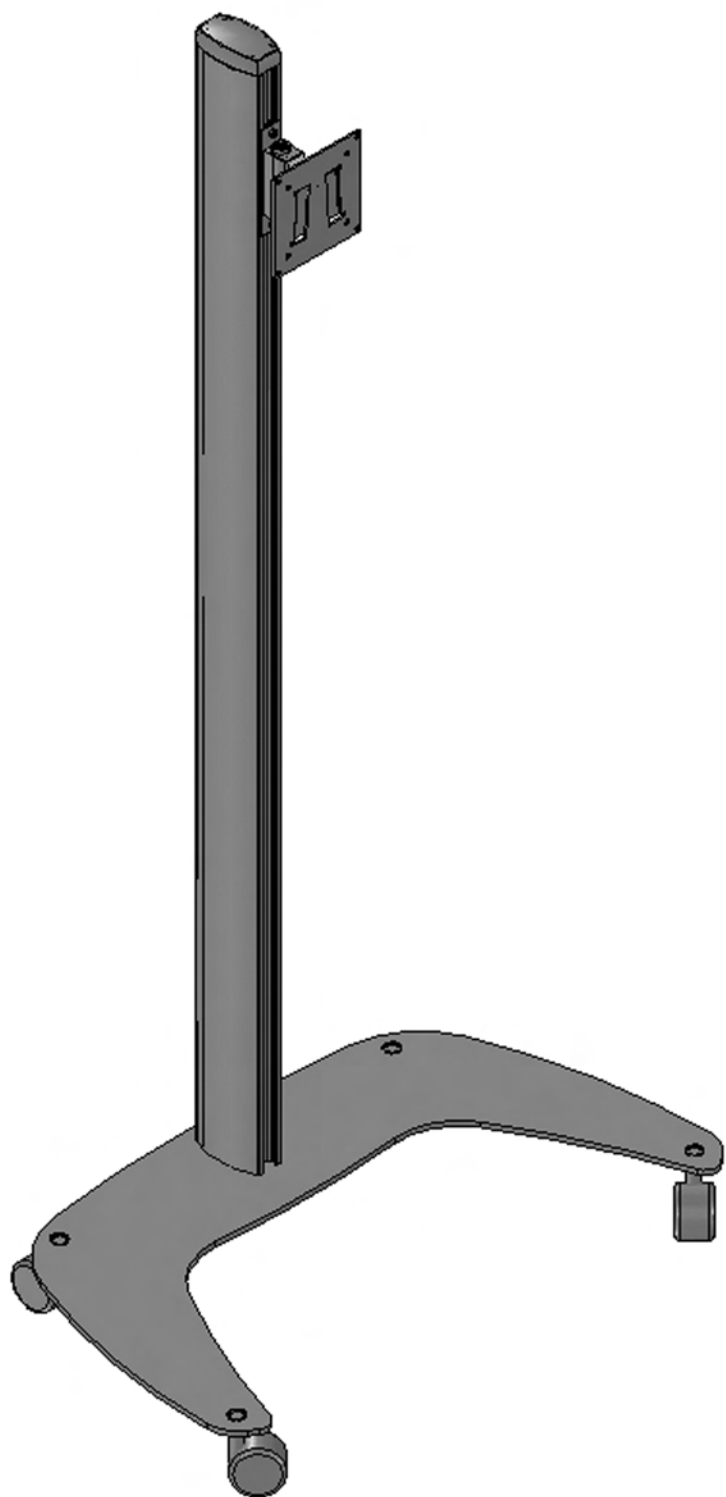
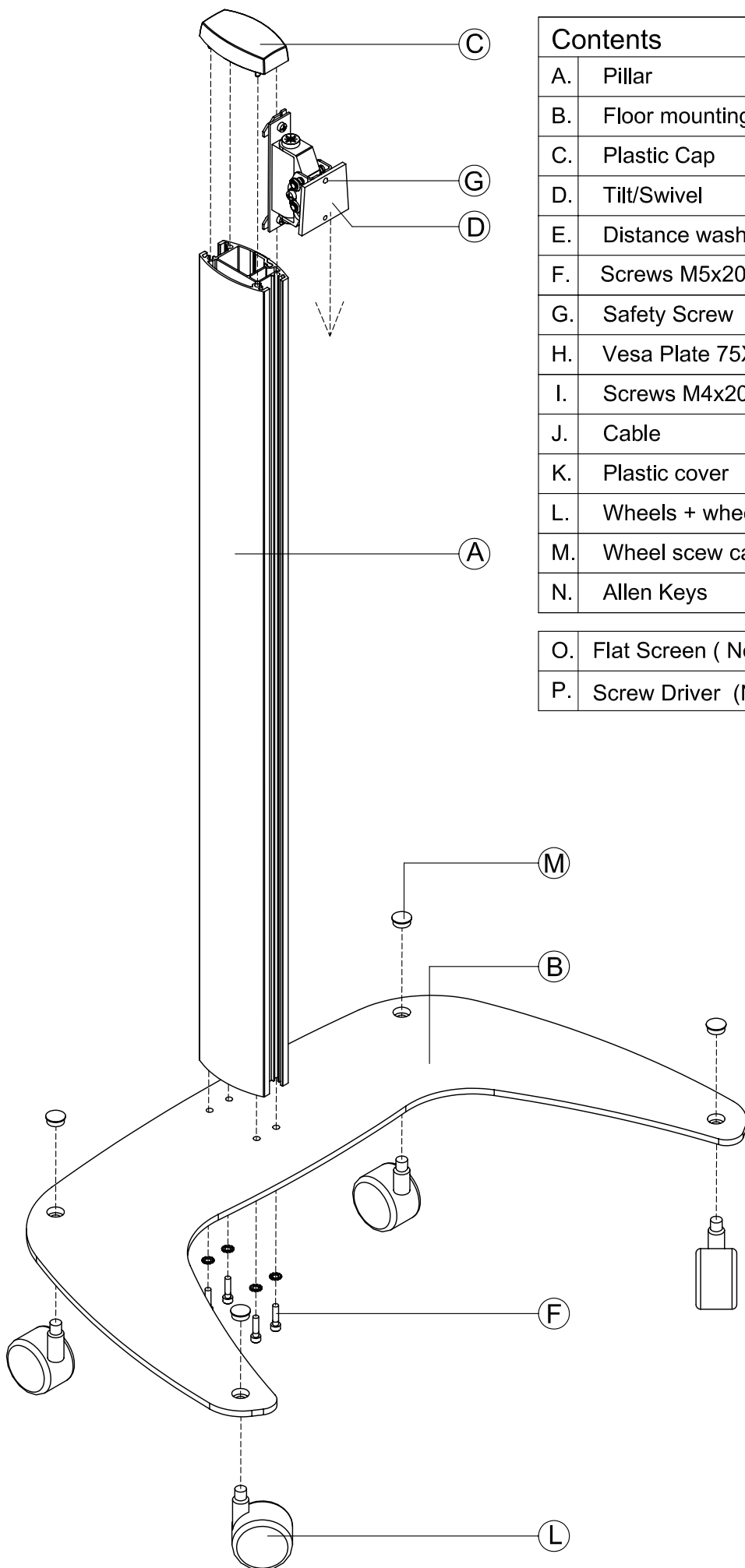


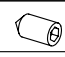




SMS FLATSCREEN FL MST800/1200

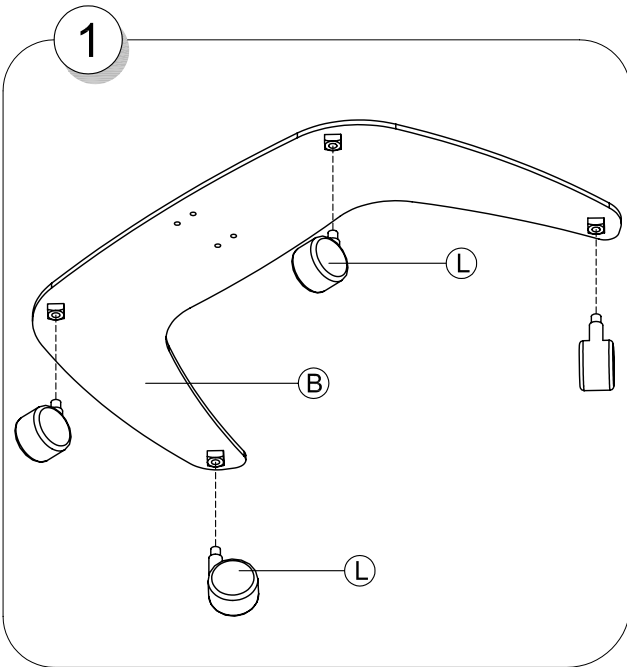




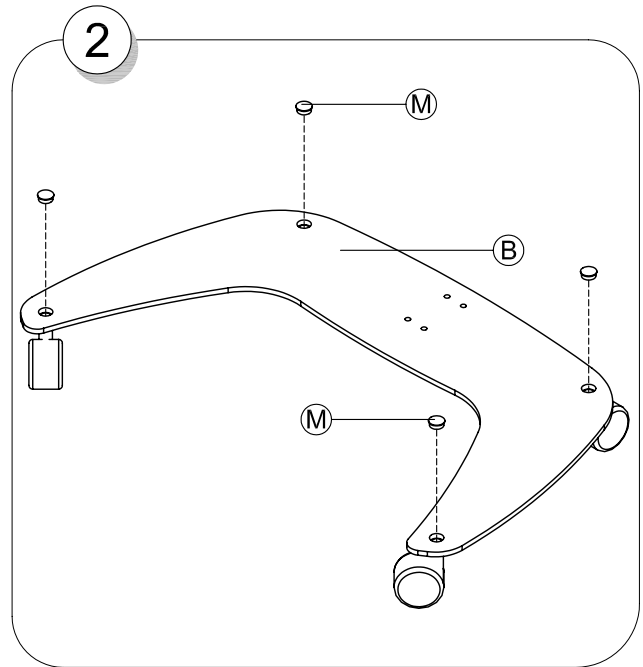
Contents

A.	Pillar		1
B.	Floor mounting plate		1
C.	Plastic Cap		1
D.	Tilt/Swivel		1
E.	Distance washers		2
F.	Screws M5x20+washers		4+4
G.	Safety Screw		1
H.	Vesa Plate 75X75 / 100X100		1
I.	Screws M4x20/M4x10		4+4
J.	Cable		2
K.	Plastic cover		1
L.	Wheels + wheel screws		4+4
M.	Wheel scw cap(plastic)		4
N.	Allen Keys		3
O.	Flat Screen (Not included)		
P.	Screw Driver (Not included)		

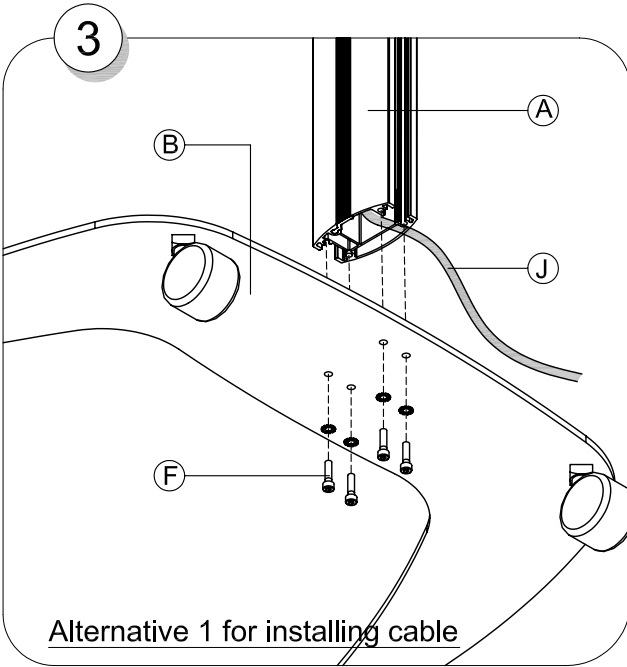
1



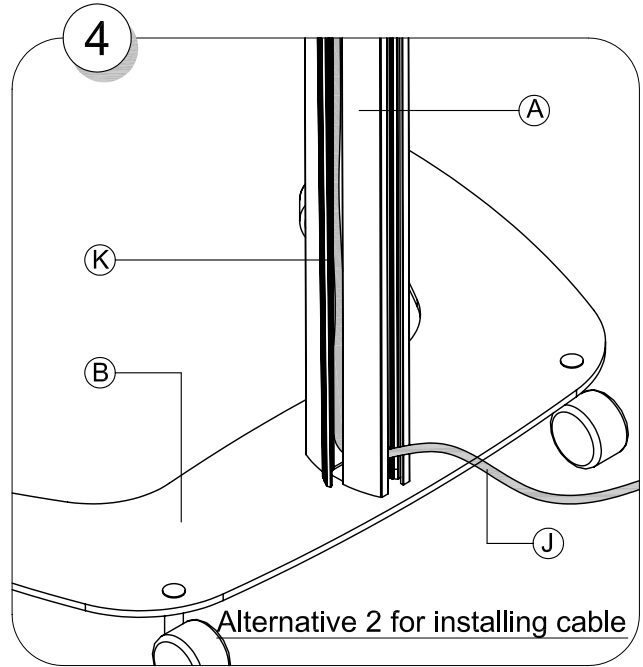
2



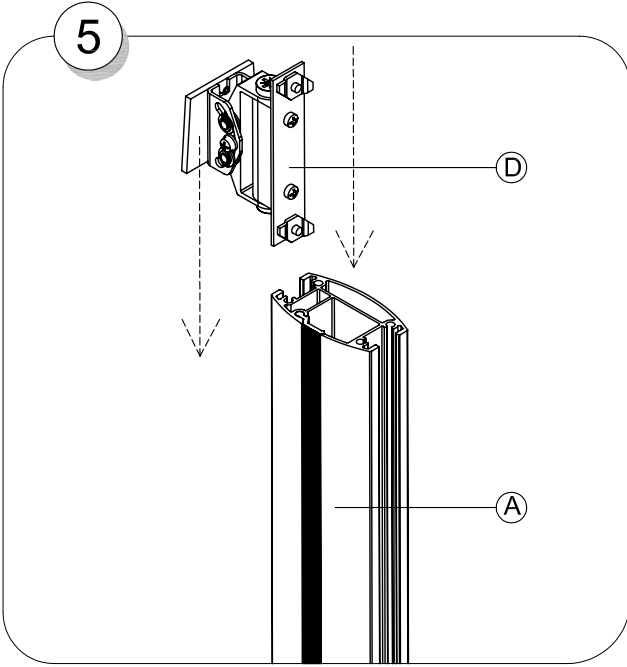
3



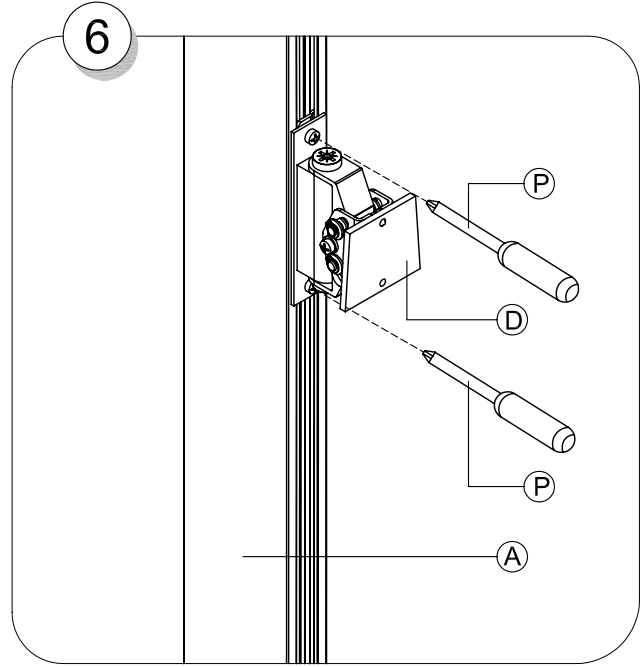
4



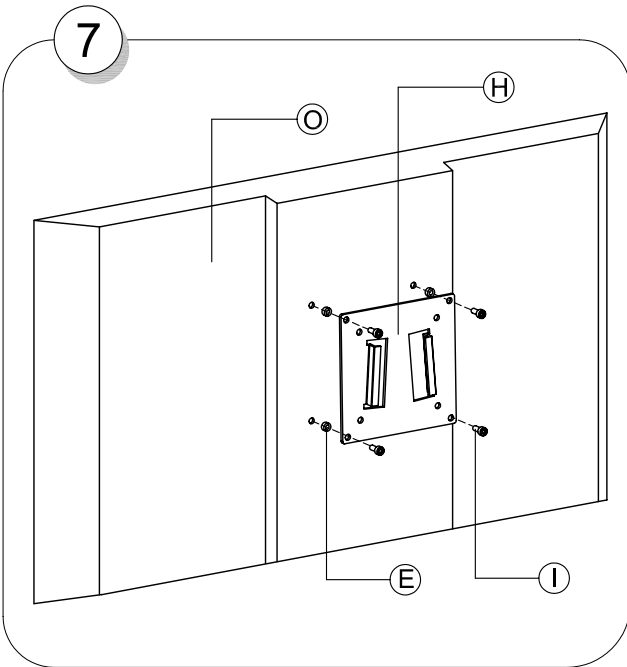
5



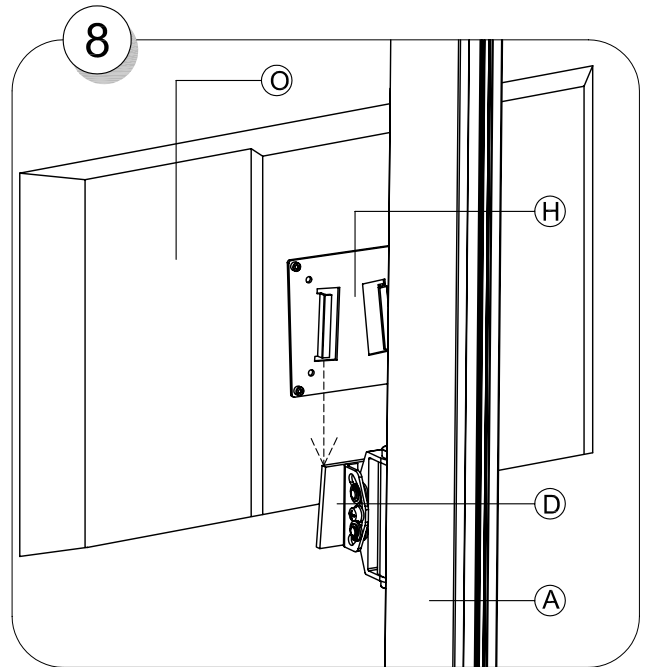
6



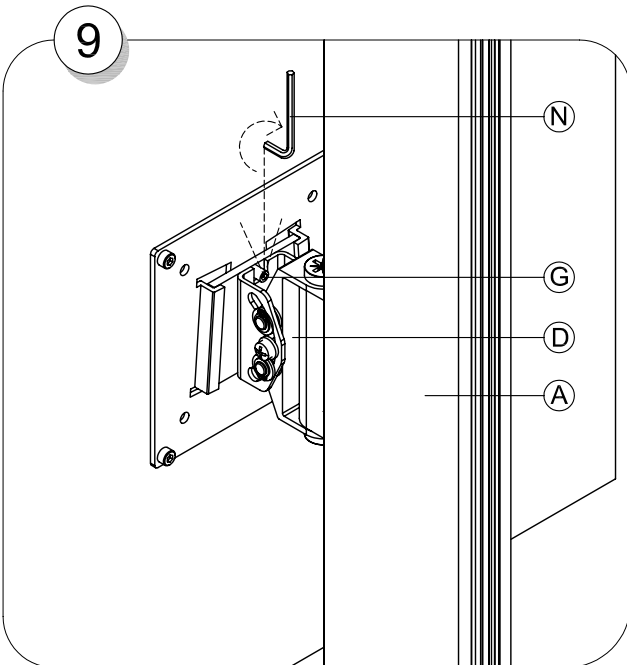
7



8



9



10

