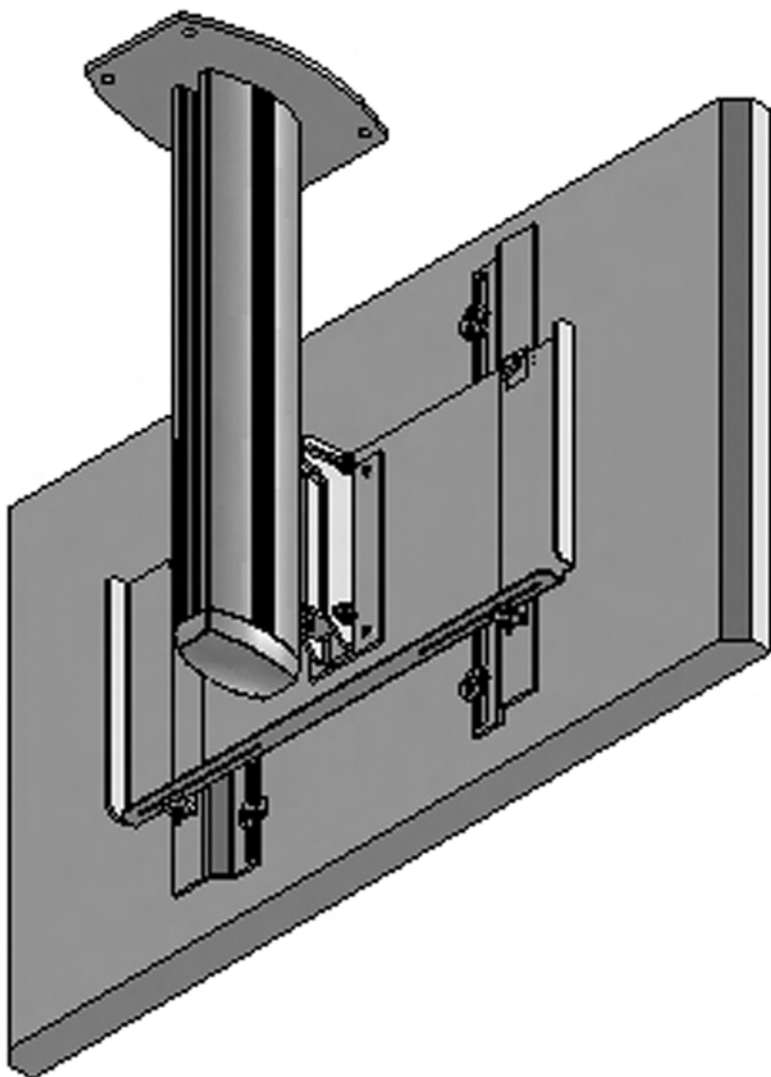
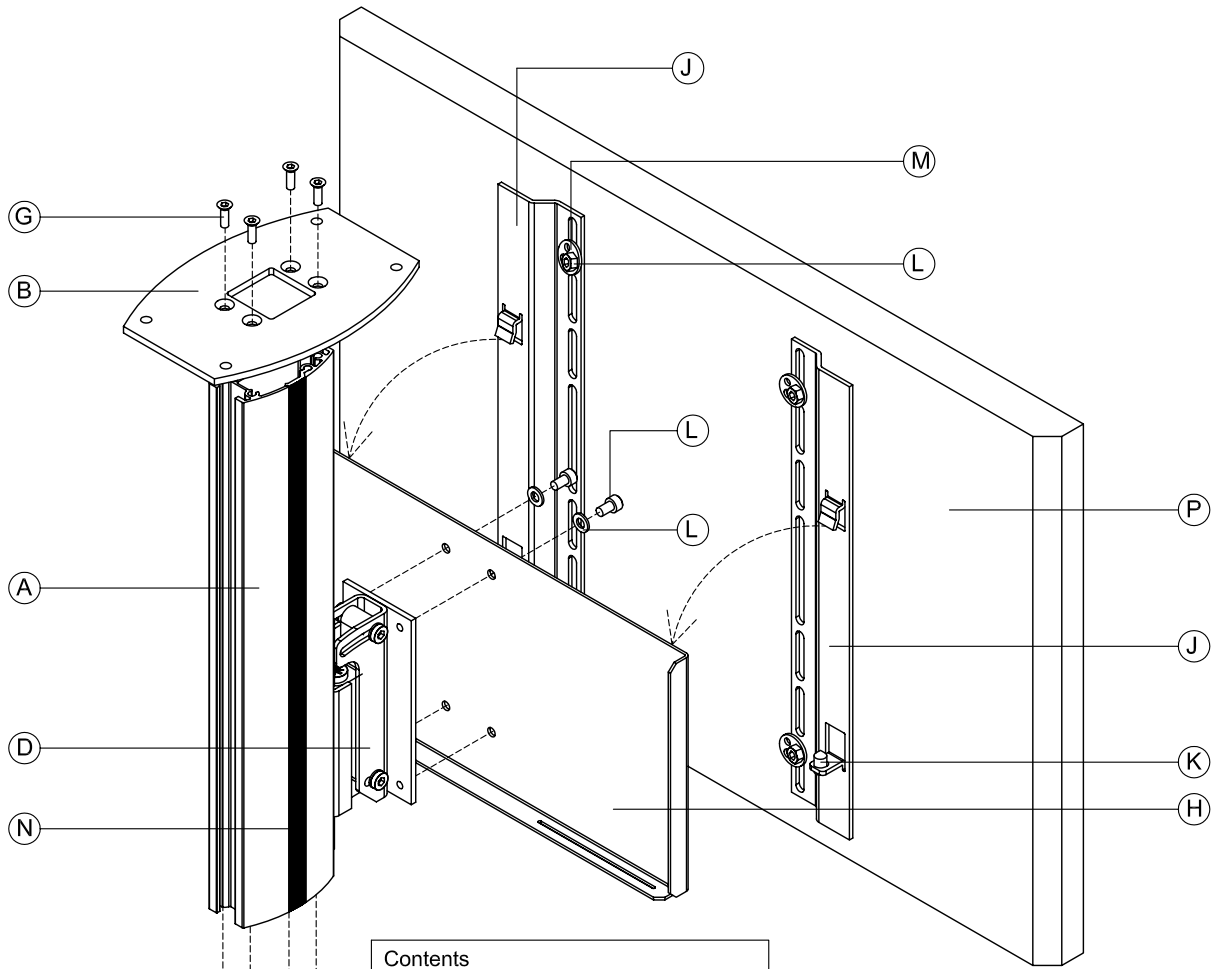
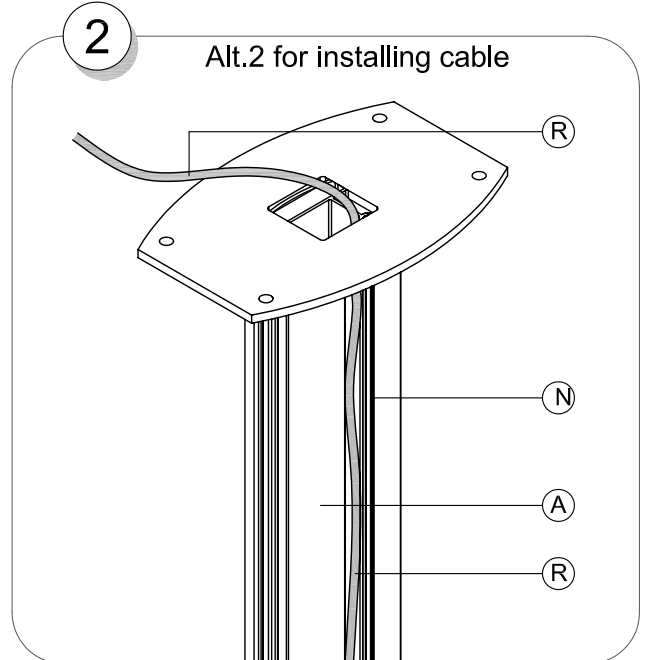
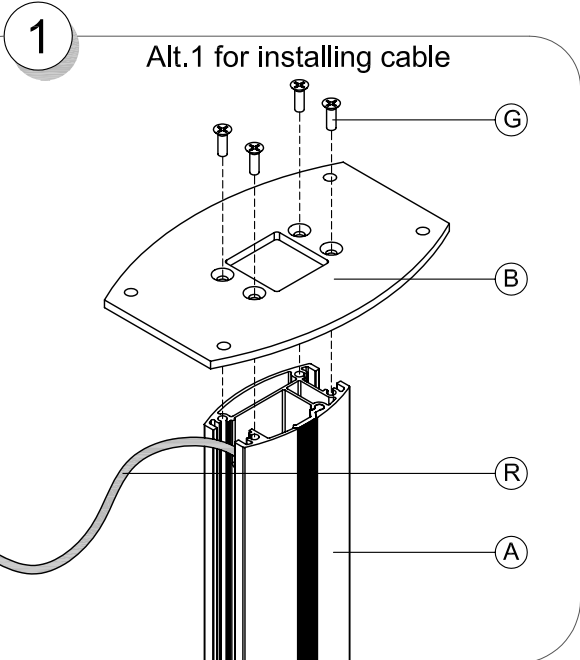


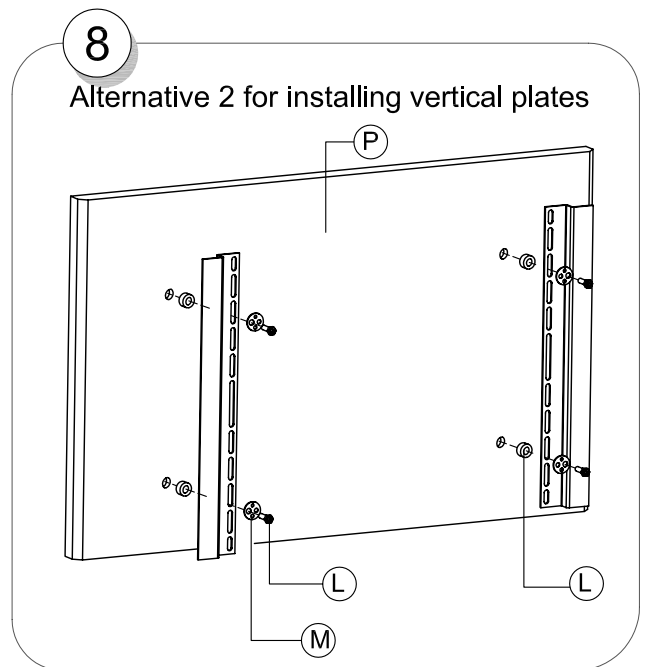
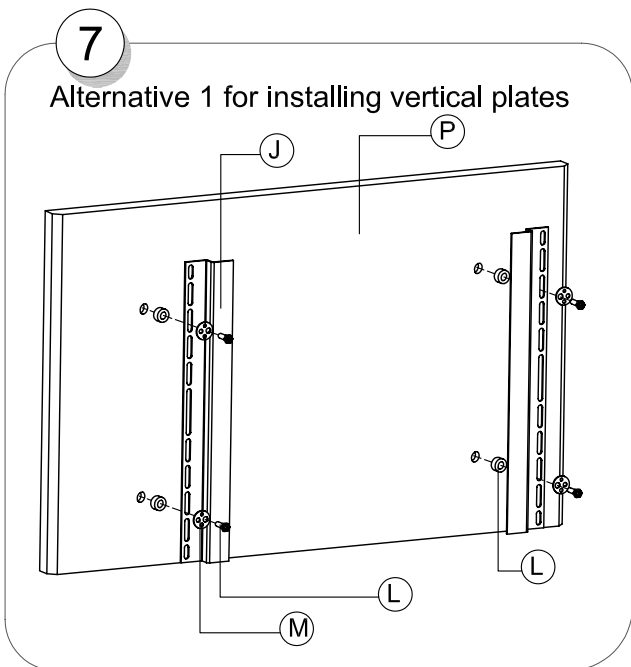
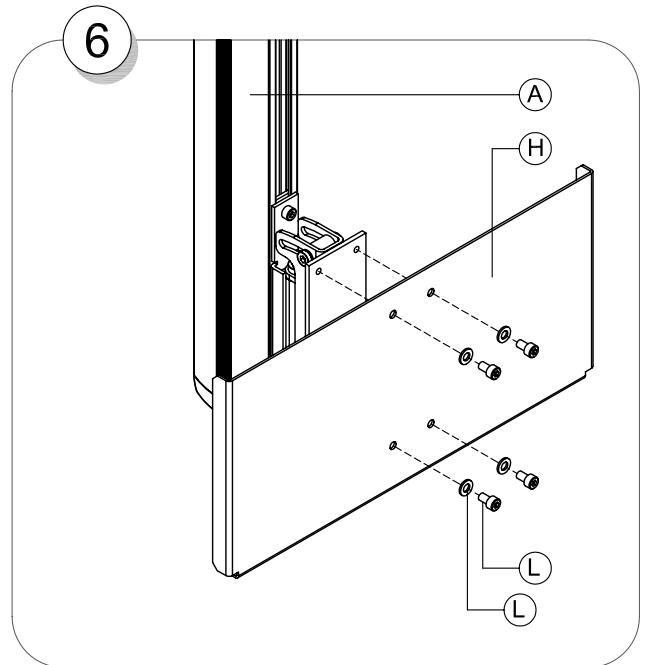
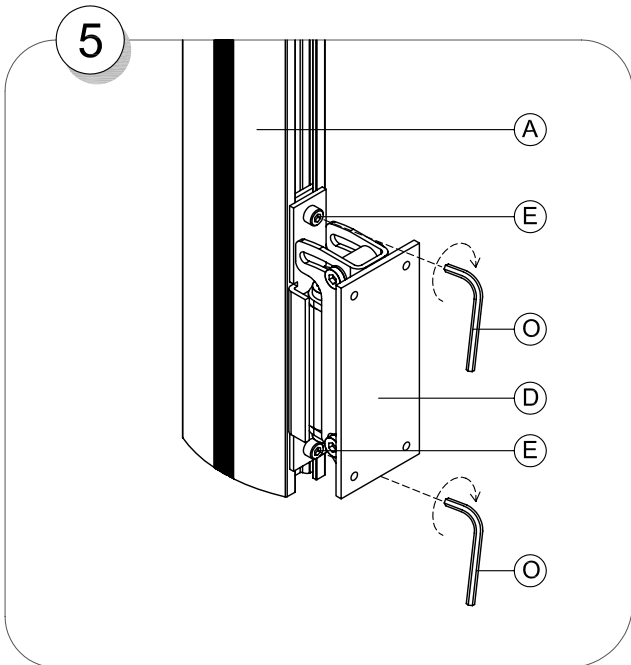
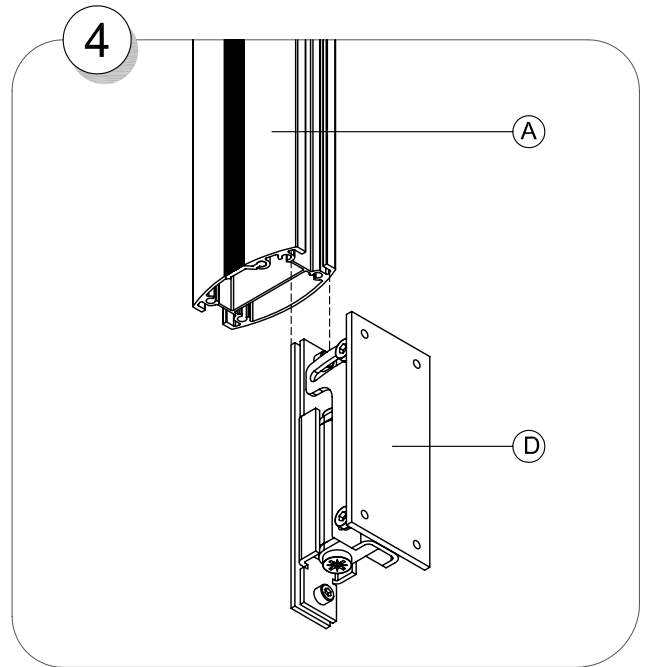
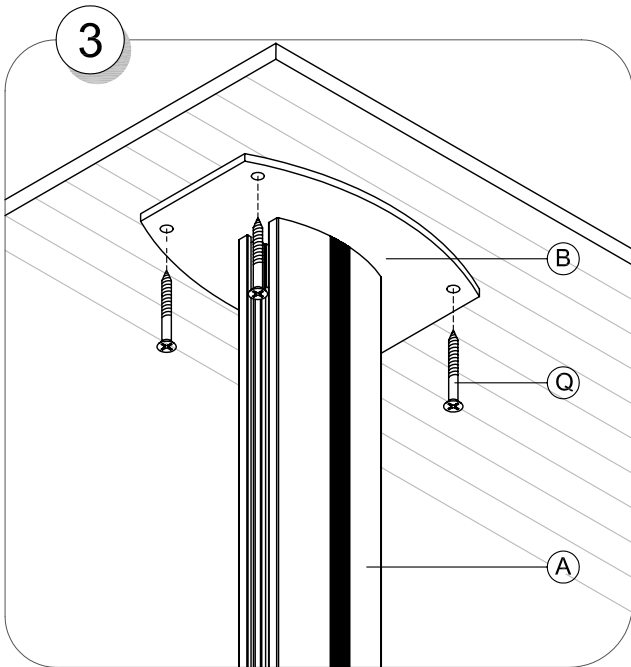
SMS FLATSCREEN CM ST



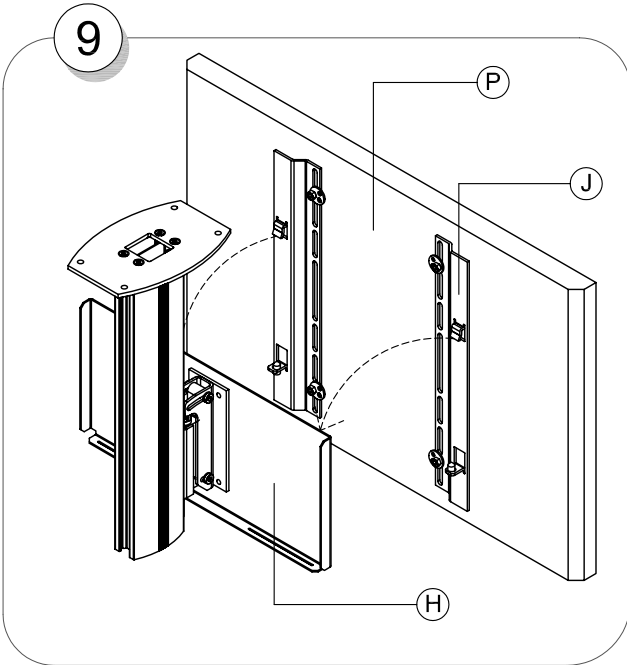


Contents					
A.	Pillar	1	J.	Vertical plates	2
B.	Ceiling plate	1	K.	Safety screws	2
C.	Plastic Cap	1	L.	Screws+washers kit	2
D.	Tilt	1	M.	Multiple washers	4
E.	Screws M8x20	2	N.	Plastic cover (over cables)	1
F.	Nuts	2	O.	Allen Keys	4
G.	Screws M5X20	4	P.	Flat Screen (Not included)	
H.	Central Plate	1	Q.	Ceiling Screws(Not included)	
I.	Screws M4X20+M4X10+washer	4+4+4	R.	Cables (Not included)	

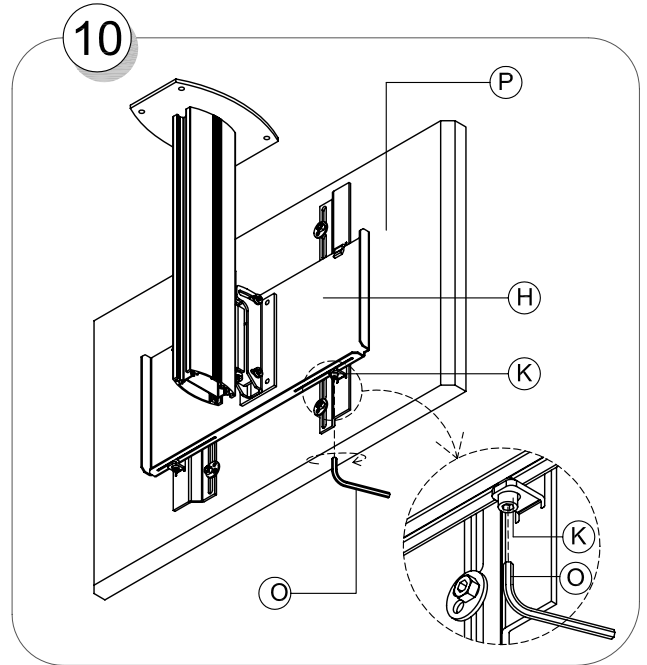




9



10



11

