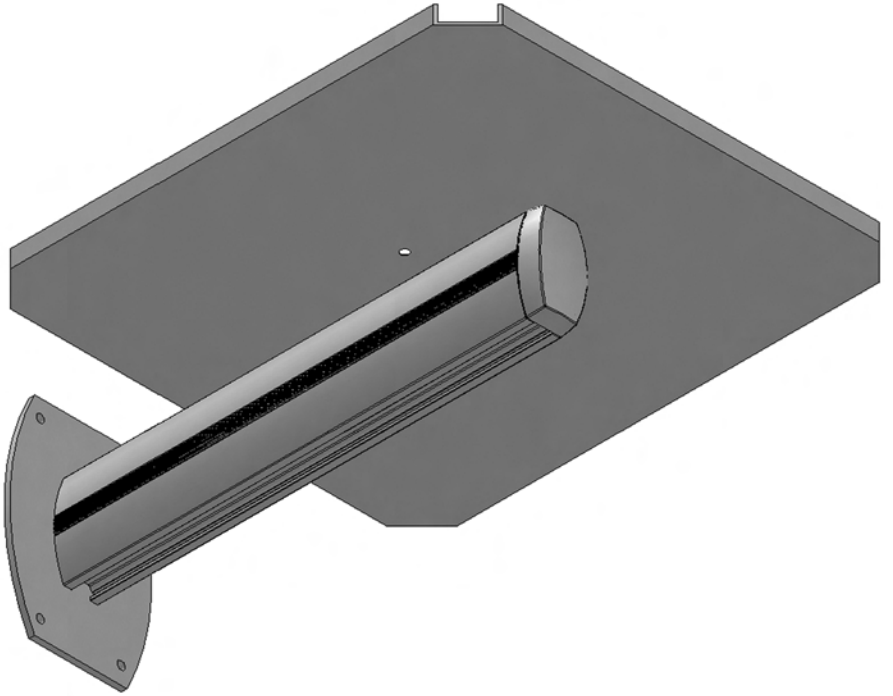
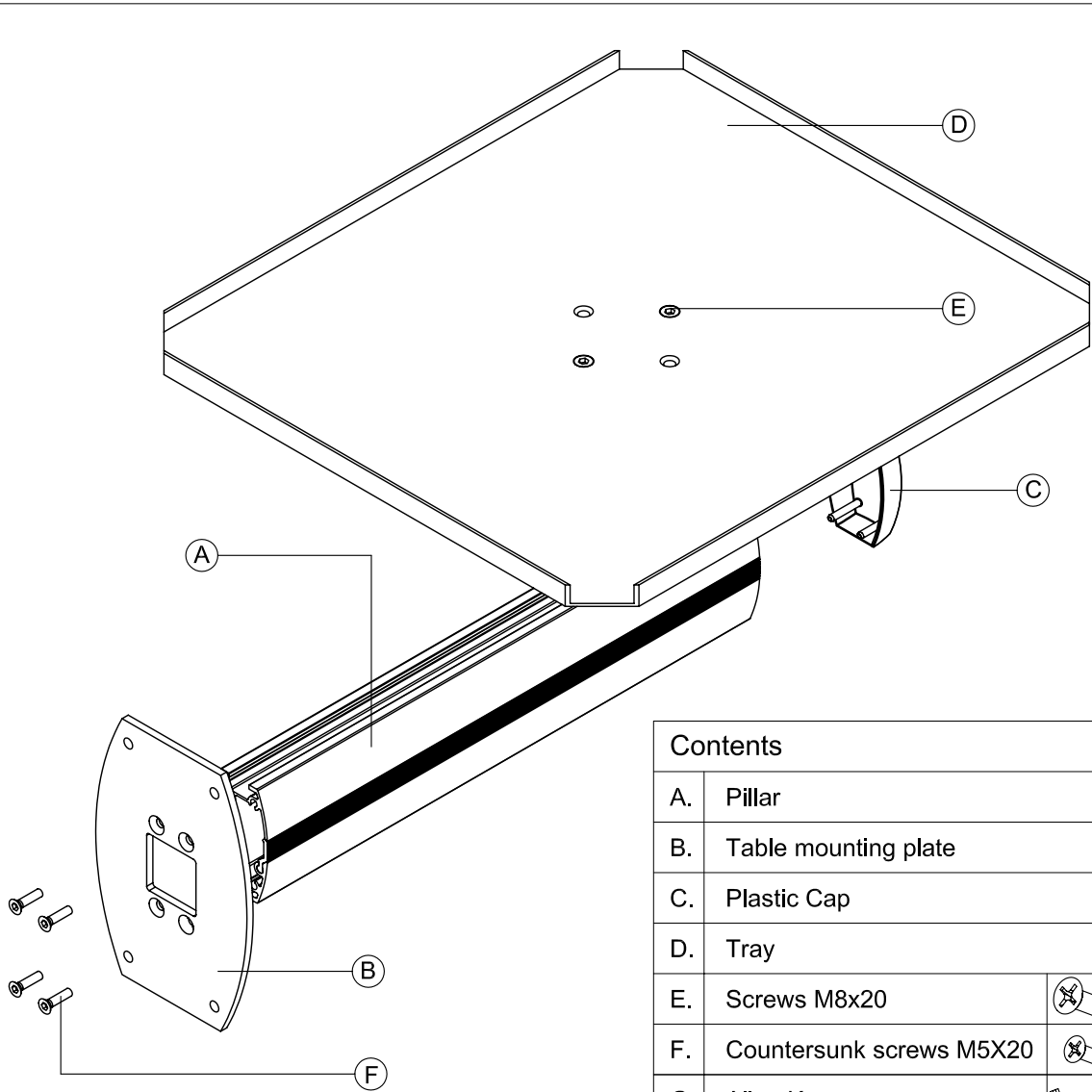





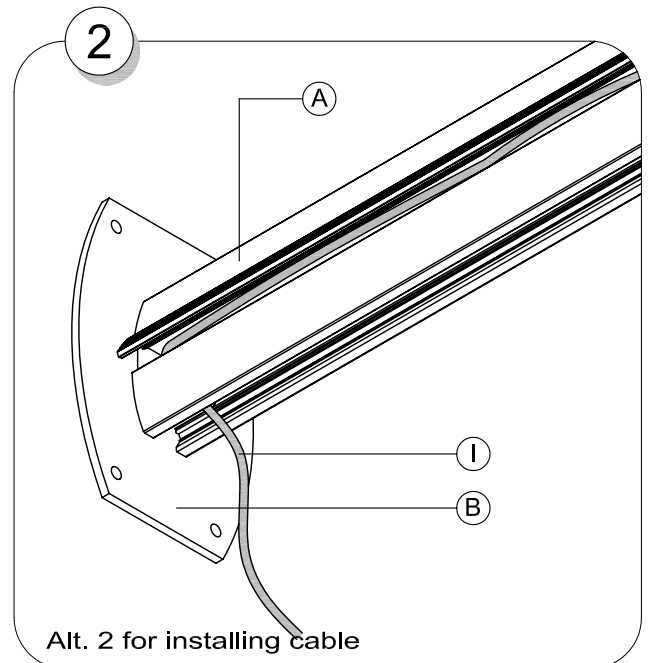
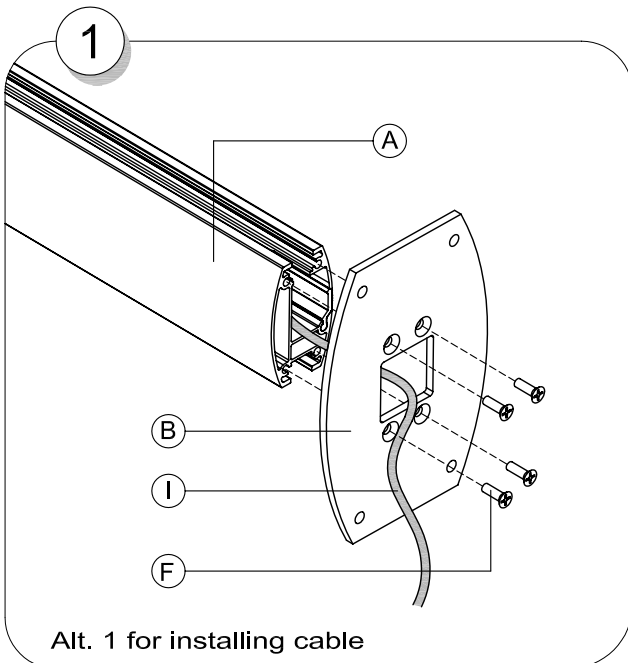
# SMS PROJECTOR WLF



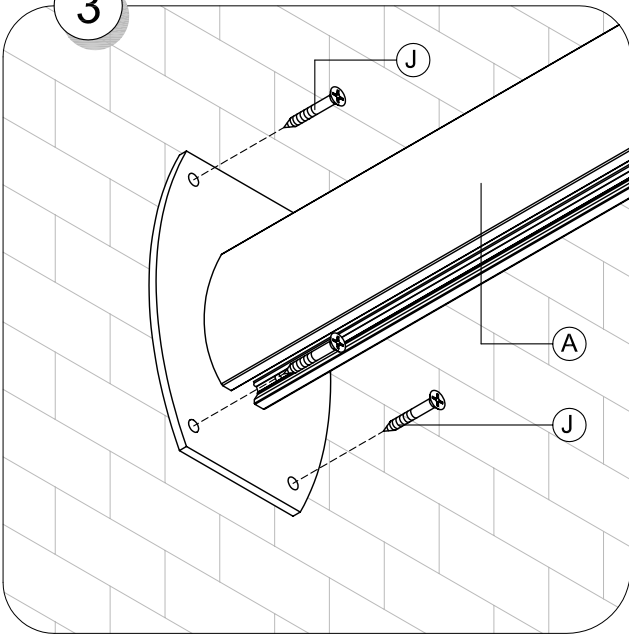


Contents

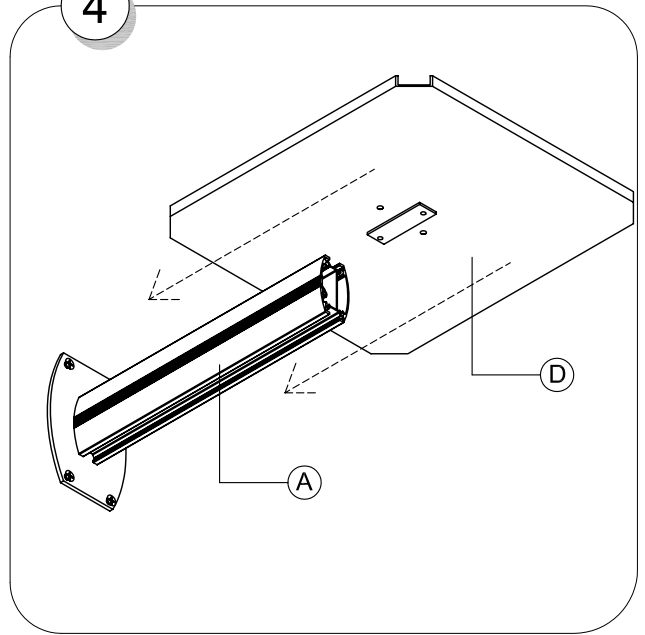
A.	Pillar		1
B.	Table mounting plate		1
C.	Plastic Cap		1
D.	Tray		1
E.	Screws M8x20		2
F.	Countersunk screws M5X20		4
G.	Allen Keys		2
H.	FlatScreen ( Not included )		
I.	Cable ( Not included )		
J.	Wall Screws (Not included)		



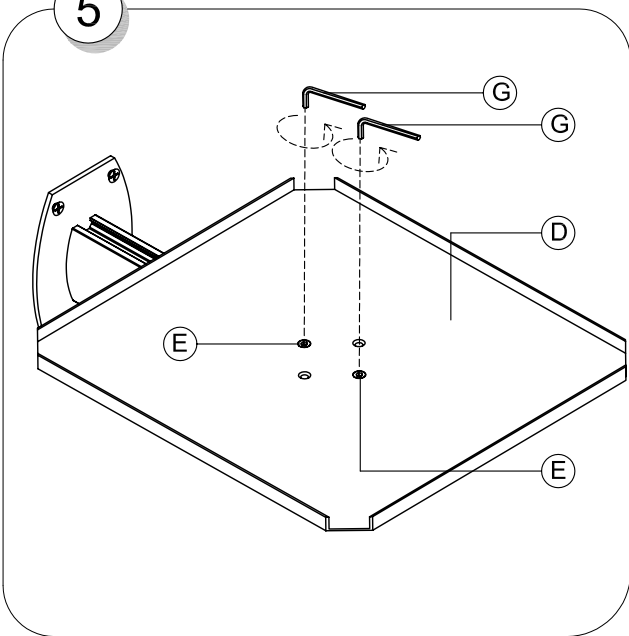
3



4



5



6

