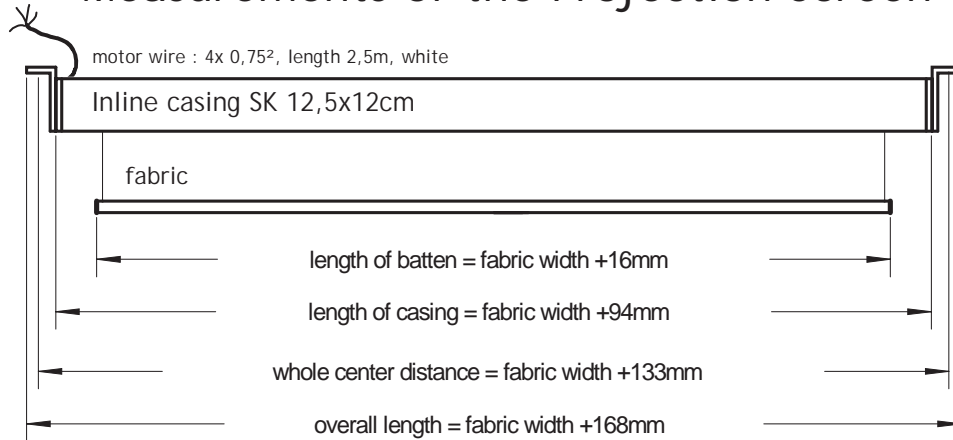


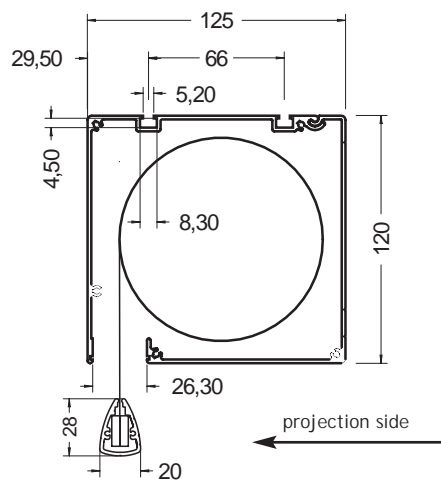
PROJECTION SCREEN SYSTEM INLINE SK 12,5x12cm

Measurements of the Projection Screen

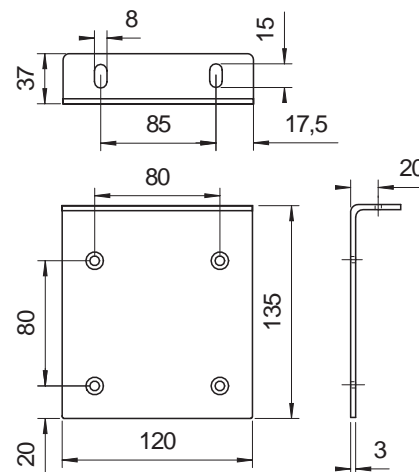


overall length: +/- 2mm

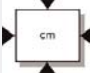
Cross Section Inline-Casing





Universal Mounting Bracket




Projection Screen with Motor Drive

Art. No.	Description		Casing dimensions	Kg netto	Kg brutto
BIM-SQ250	Inline-Motor Strato, 1:1		250x250cm	29	31
BIM-PD300	Inline-Motor Plana, 3:2		300x200cm	25	34
BIM-SD300	Inline-Motor Strato, 3:2		300x200cm	31	40
BIM-SF300	Inline-Motor Strato, FS		300x250cm	34	43
BIM-SQ300	Inline-Motor Strato, 1:1		300x300cm	37	46
BIM-SQ350	Inline-Motor Strato, 1:1		350x350cm	43	53
BIM-SZ400	Inline-Motor Strato, 2:1		400x200cm	44	55

Projection Screen with Motor Drive and Masking

Art. No.	Description			Casing dimensions	Kg netto	Kg brutto
BIM-SV290/R5	Inline-Motor Strato, 4:3			290x220cm 280x210cm	33	41
BIM-SV360/R5	Inline-Motor Strato, 4:3			360x270cm 350x260cm	41	51
BIM-SC290/R5	Inline-Motor Strato, 16:9			290x220cm 280x158cm	33	41
BIM-SC360/R5	Inline-Motor Strato, 16:9			360x270cm 360x203cm	41	51

Projection Screen with Crank Drive

Art. No.	Description		Casing Dimensions	Kg netto	Kg brutto
BIK-SQ250	Inline-Crank Strato, 1:1		250x250cm	28	38
BIK-PZ300	Inline-Crank Plana, 2:1		300x150cm	24	36
BIK-SD300	Inline-Crank Strato, 3:2		300x200cm	32	44
BIK-PD300	Inline-Crank Plana, 3:2		300x200cm	24	36
BIK-SQ300	Inline-Crank Strato, 1:1		300x300cm	36	48

Other Sizes / Specifications / Colours / Accessories on request