

THE REMOTE CONTROLLER

Press any button of any handset that you want to match with this remote control box ,after hearing "du---"this handset is matched with this remote control box .then the remote control box is out of set up status; if no operation 8 seconds,then the remote control box is out of set up status.

Maximum 5 handsets could be matched with one remote control box . Reenter the set up status and repeat the matching steps.

EXCHANGING THE UP AND DOWN BUTTON

In set up status ,press Down button of remote control box or an effective handset , after hearing "du---du---"the Up and Down button function of handset and remote control box are exchanged.

MEMORY FUNCTION

SETTING

Press Down button, screen will go down . when reaching to your required position , press Stop and Down button at the same time . screen will remember this position . later screen will stop at this position automatically.

CLEAR

Press Up and Down button at the same time clear the memory . screen will stop at the bottom position.

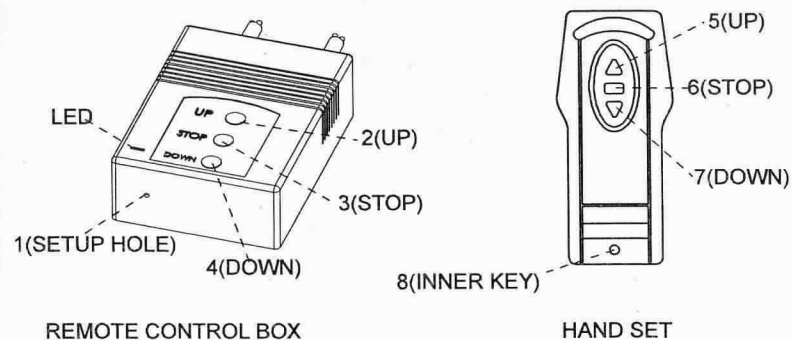
PROBLEM AND SOLUTION

Remote control box not workable, LED indicator not light, check power supply , check fuse in the remote control box .

Remote control box working well ,handset not working well , matching handset again or change new handset.(Check battery in handset)

Up and Down button on remote control box or handset not working well , release the handset lock or remote control box lock.

Screen could not go down to bottom position ,clear the memory.



THE REMOTE CONTROLLER

TECHNICAL DATA

Input: 230VAC \pm 10% (50Hz) or 110VAC \pm 10% (60Hz);

Output current to motor : \leq 1A (230VAC or 110VAC);

Code error rate: \leq 1/1000000;

Remote control distance: \leq 20m;

Maximum effective handset for one screen: \leq 5pic

Control signal: RF 433.92MHz; IR 38KHz

Maximum effective time of one press button: 120's \pm 2%

Minimum effective time of one press button: 0.3's

OPERATION

When screen plug in the power , LED indicator on remote control box will be lighted.

Press Up button,you will hear "du". Screen will go up until to the maximum effective time .

Press Down button ,you will hear"du". Screen will go down until to the maximum effective time.

Press Stop button ,screen will stop.

When screen is going up ,press Down button, screen will stop, press Down button again,Screen will go down, When screen is going down ,press up button , screen will stop. Press Up button again, screen will go up .

If run time of motor is longer then the maximum effective time , controller will cut off the Power of motor.

SETTING

Press the SETUP hole of remote control box for more then 6 second, after hearing "du du du".This remote control box is reset. Press the SETUP hole again , after hearing "du du" remote control box is in set up status.

HANDEST LOCK

In set up status , press Stop button of handset, after hearing "du du "the Up and Down buttons of handset will be locked.

Press Stop button of handset again or screen plug in the power again, the Up and Down buttons of handset will be released.

REMOTE CONTROL BOX LOCK

In set up status, press Stop button of remote control box, after hearing "du du " the Up and Down buttons of remote control box will be locked.

press Stop button of remote control box again or screen plug in the power again , the Up and Down buttons of remote control box will be released

MATCHING

In set up status, press up button of remote control box or an effective handset after hearing "du du" remote control box is maching status.